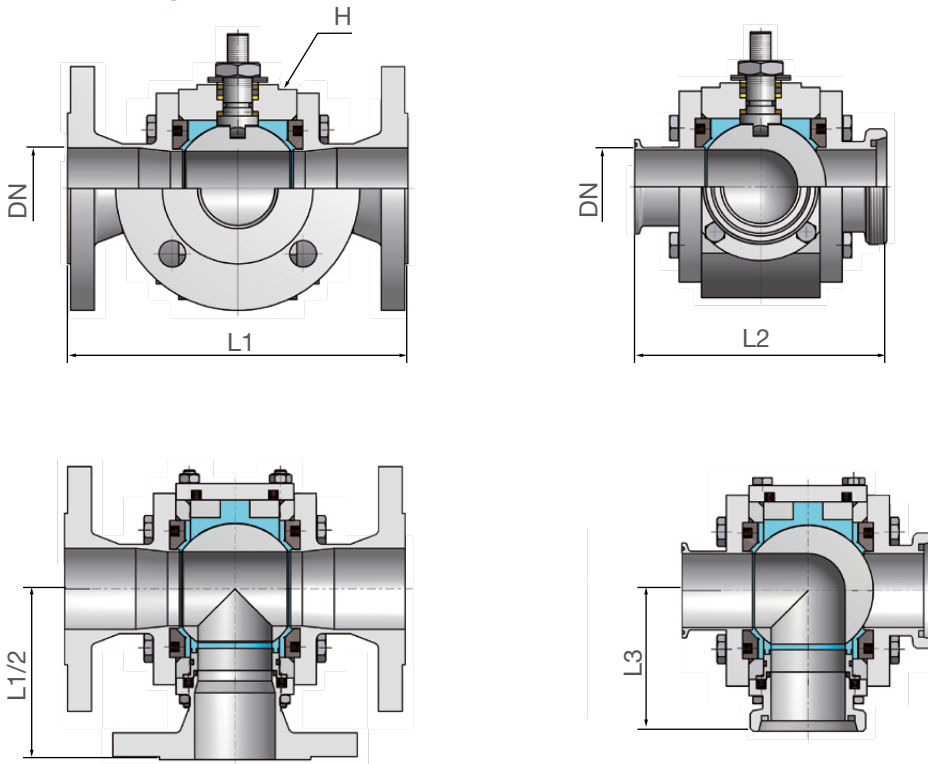


ATEC mating dimensions

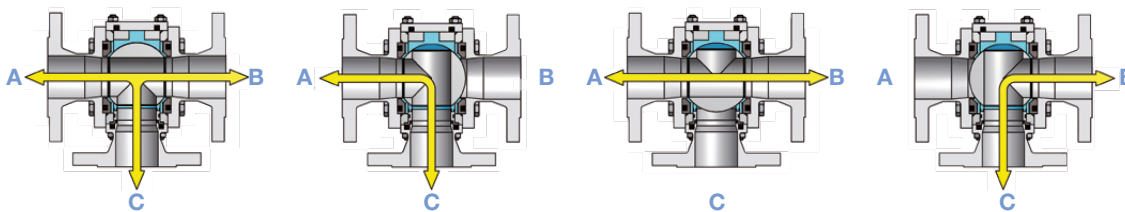


| DN | L1 | L1/2 | L2 | L3 | H |
|-----|-----|------|----------|-----------|-----|
| 15 | 140 | 80 | 100/120* | 65 | F04 |
| 25 | 160 | 80 | 120 | 71 | F04 |
| 40 | 200 | 100 | 160 | 87 | F05 |
| 50 | 230 | 115 | 170 | 95 | F05 |
| 65 | 290 | 145 | 200 | 100/110** | F07 |
| 80 | 310 | 156 | 230 | 125 | F07 |
| 100 | 350 | 175 | 270 | 135 | F10 |

* L2 for thread acc. to DIN 11851

** L3 for thread acc. to DIN 11851

Ballposition with T-Ball



Ballposition with L-Ball

